

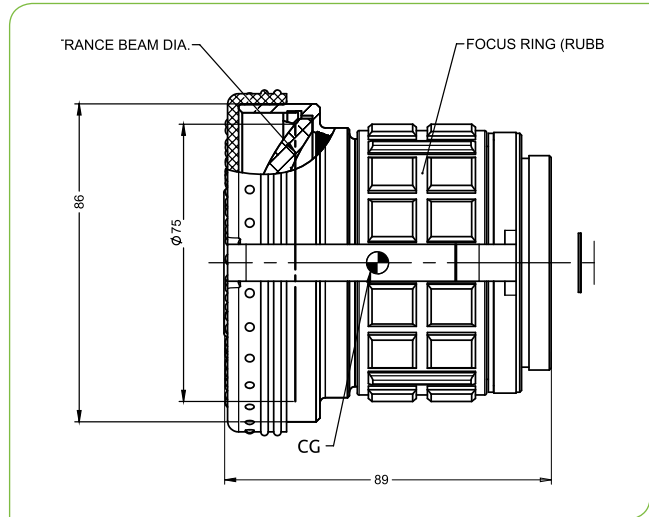
SupIR 75mm f/1.0, Manual Focus 680274

TYPICAL ICD*

LWIR | 1-FOV



HD
FORMAT



HFOV	320x240	384x288	640x480	1024x768
17μ	4.1°	5.0°	8.3°	
12μ	2.9°	3.5°	5.8°	9.3°
10μ	2.4°	2.9°	4.9°	7.8°

Property	Value				
Optical					
Focal Length	75mm				
F#	1.0				
Average transmission (8-12μm)	94% (HD) / 87% (HC)				
Back Focal Length	22.7±0.5mm in air				
Mechanical					
Focus Mechanism	Manual				
Depth of Field	93m to infinity				
Focus Range	5m to infinity				
Weight	580gr				
Max. Dimensions	Ø 86mm x 89mm				
Environmental					
Operation Temperature	-40°C to +60°C				
Storage Temperature	-55°C to +70°C				
Sealing	IP67 front element only; IP54 handwheel & interface				
Configurations	Weight (gr)	Dimensions	BWD**	Thread	Coating
680274-001	580	Ø86mm x 89mm	12.3	M58x1.0	HD
680274-002					HC

* The ICD drawing provided here is primarily a representation and may not accurately reflect the product's actual dimensions and specifications. For precise integration specifications contact your local sales representative.

** The BWD value is calculated for a unique detector setup with varying sealing windows in terms of thickness and material. For more details, contact your local sales representative.